

# EVERGREEN GEO

Evergreen Walls, Inc.  
6069 Oakbrook Parkway  
Norcross, 30093 Georgia, USA



# EVERGREEN

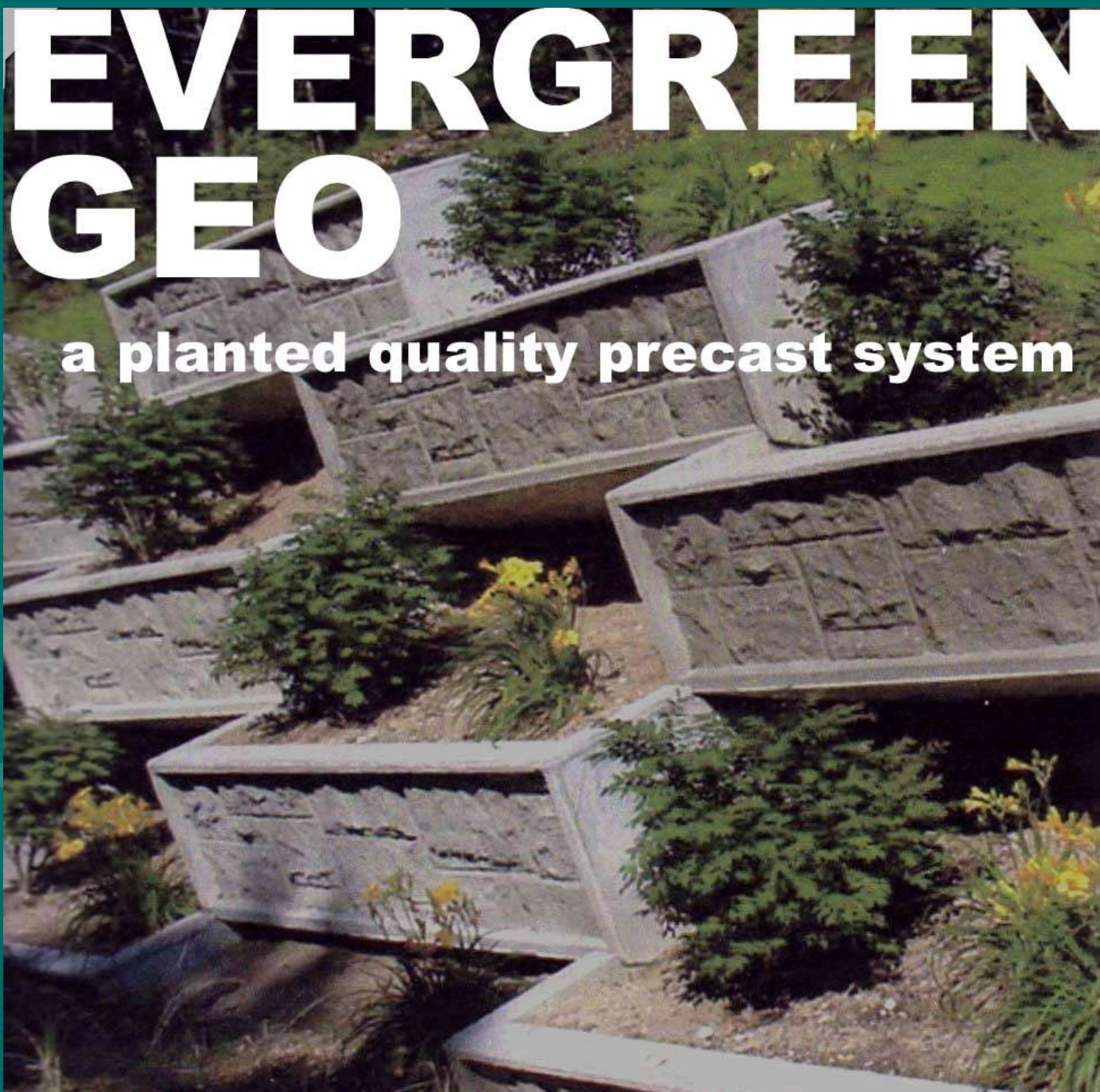


# EVERGREEN GEO



# EVERGREEN GEO

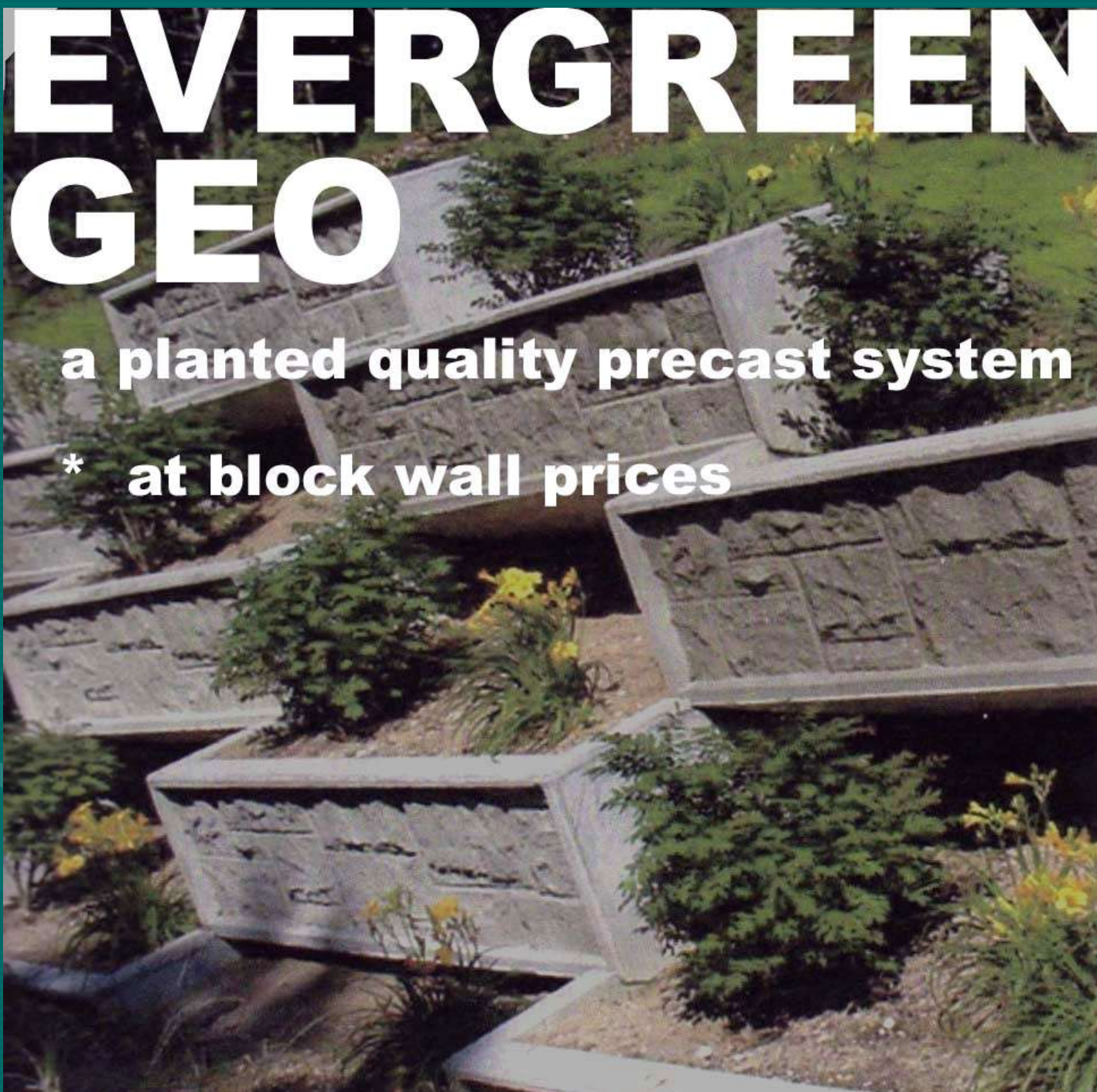
**a planted quality precast system**



# EVERGREEN GEO

**a planted quality precast system**

**\* at block wall prices**



# EVERGREEN GEO



**a planted quality precast system**

**\* at block wall prices**

**\* aesthetically pleasing**

# **EVERGREEN GEO**



**a planted quality precast system**

**\* at block wall prices**

**\* aesthetically pleasing**

**\* variety of front finishes**

# **EVERGREEN GEO**



**a planted quality precast system**

**\* at block wall prices**

**\* aesthetically pleasing**

**\* variety of front finishes**

**\* virtually graffiti proof**



# **EVERGREEN GEO**



**a planted quality precast system**

**\* at block wall prices**

**\* aesthetically pleasing**

**\* variety of front finishes**

**\* virtually graffiti proof**

**\* sound absorptive**

# **EVERGREEN GEO**



**a planted quality precast system**

**\* at block wall prices**

**\* aesthetically pleasing**

**\* variety of front finishes**

**\* virtually graffiti proof**

**\* sound absorptive**

**\* preengineered product**

# **EVERGREEN GEO**

**a planted quality precast system**

**\* at block wall prices**

**\* aesthetically pleasing**

**\* variety of front finishes**

**\* virtually graffiti proof**

**\* sound absorptive**

**\* preengineered product**

**\* quality reinforced precast**

# **EVERGREEN GEO**



**a planted quality precast system**

**\* at block wall prices**

**\* aesthetically pleasing**

**\* variety of front finishes**

**\* virtually graffiti proof**

**\* sound absorptive**

**\* preengineered product**

**\* quality reinforced precast**

**\* units cover 40 sf of wall face**

# **EVERGREEN GEO**

**a planted quality precast system**

**\* at block wall prices**

**\* aesthetically pleasing**

**\* variety of front finishes**

**\* virtually graffiti proof**

**\* sound absorptive**

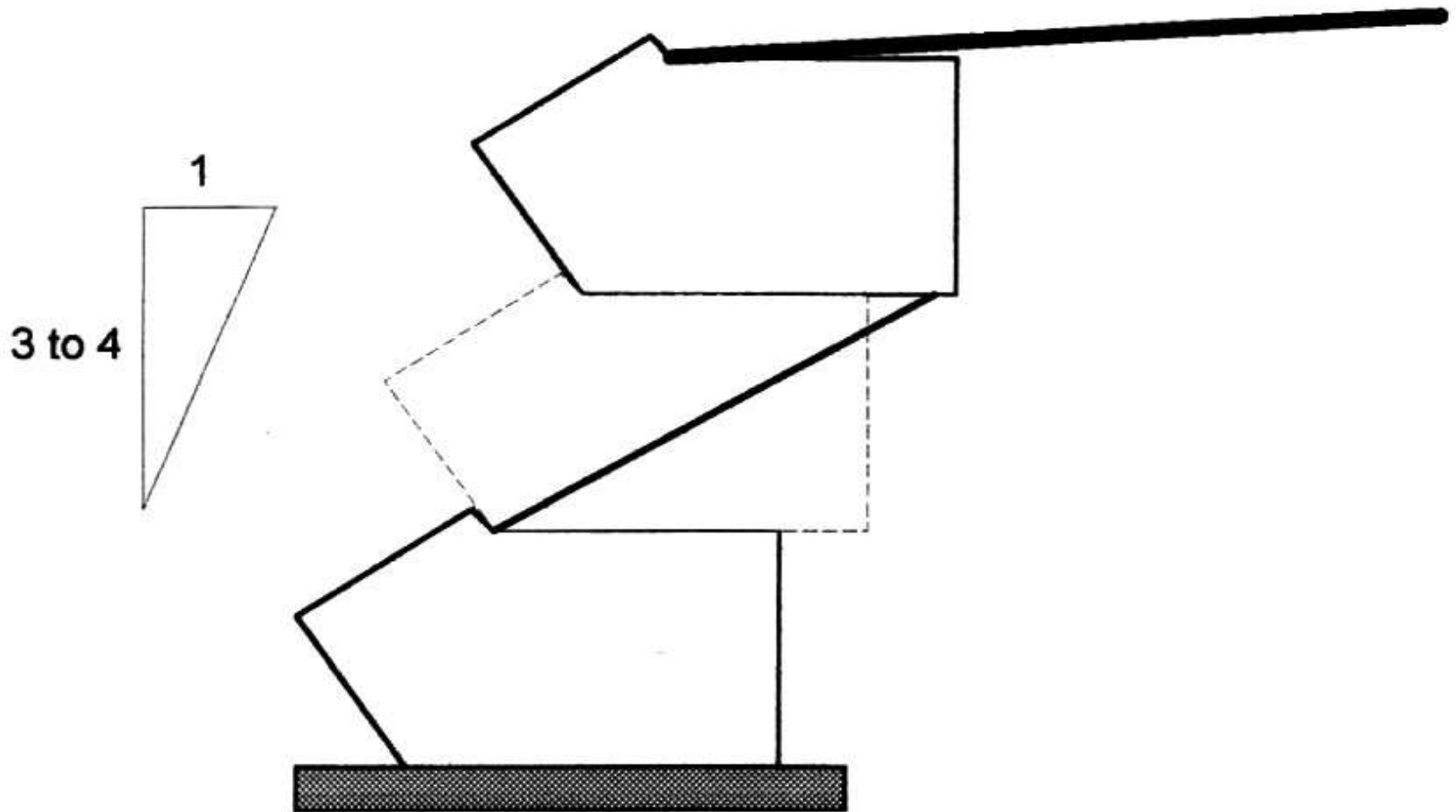
**\* preengineered product**

**\* quality reinforced precast**

**\* units cover 40 sf of wall face**

**\* crushed stone footings**

## Short Gravity Wall



short gravity wall



cast  
individual  
foundations  
and set first  
units



**use string for alignment**





**Set and align Evergreen GEO elements**



**Gardener Planting**



**Evergreen GEO wall after planting**



**Evergreen GEO units after one year**



**Planted Evergreen GEO Units**



**after planting**



**planted elements**

**final checking**



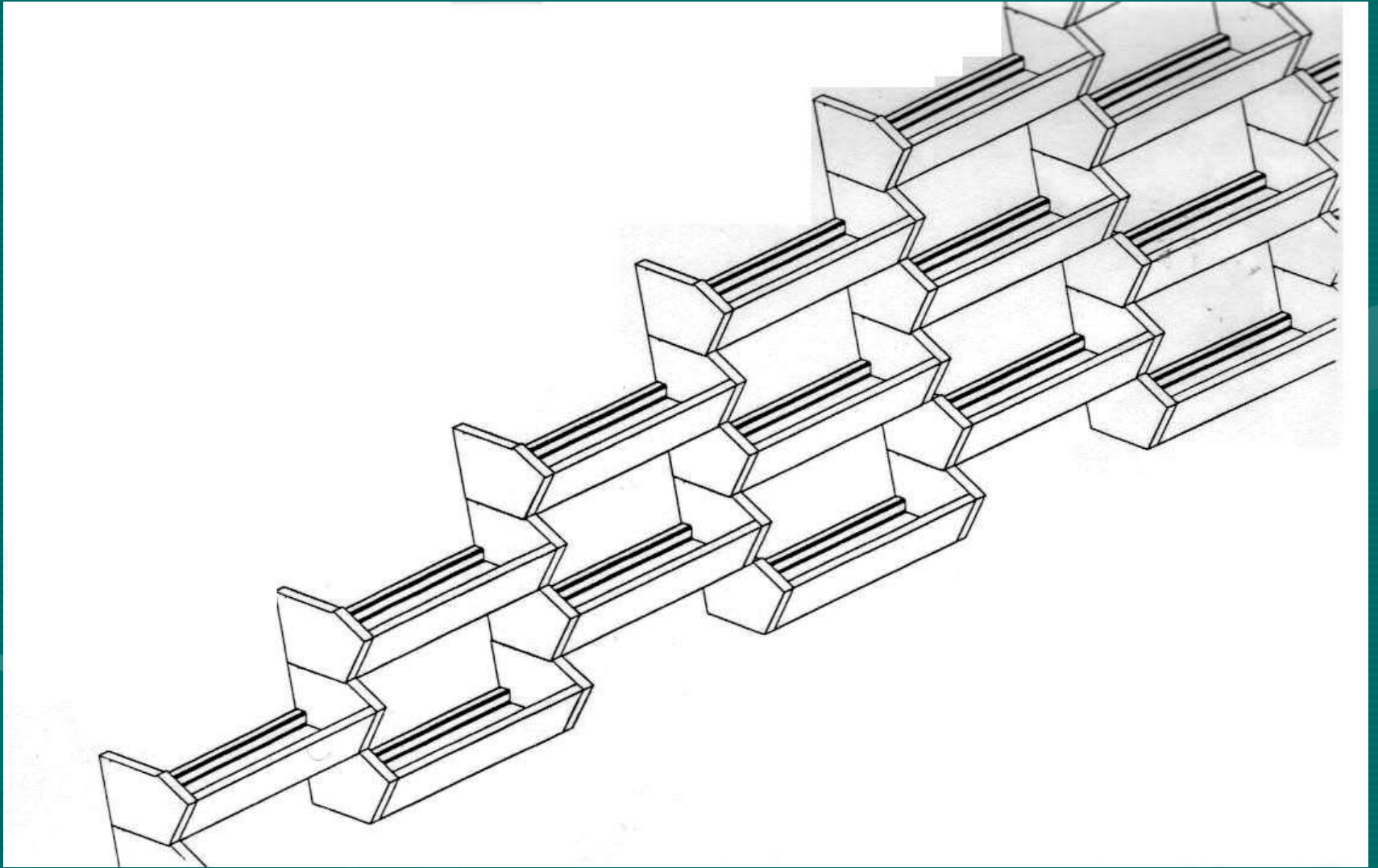




**Evergreen GEO Wall, Brookhaven, NY, USA**



**wooden wall to be replaced in Port Jefferson, USA**



**design concept**



**replacement by an Evergreen GEO**

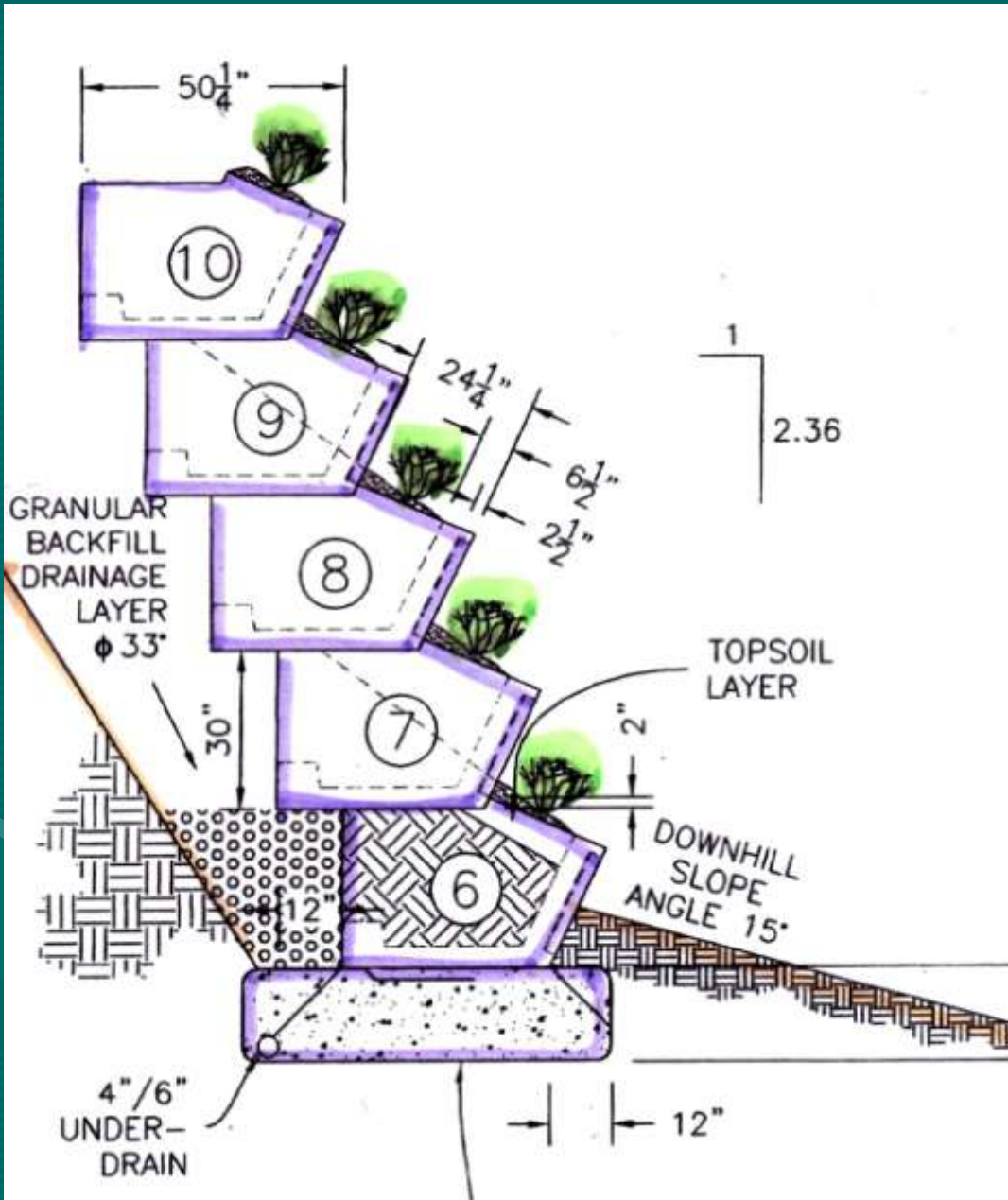


**after construction**



**Port Jefferson, N.Y., USA**

# wall design





**same wall after planting**





planting



**Evergreen GEO wall after one year**



**wall after two years**



**wall after two years**



**Port Jefferson, N.Y. USA**

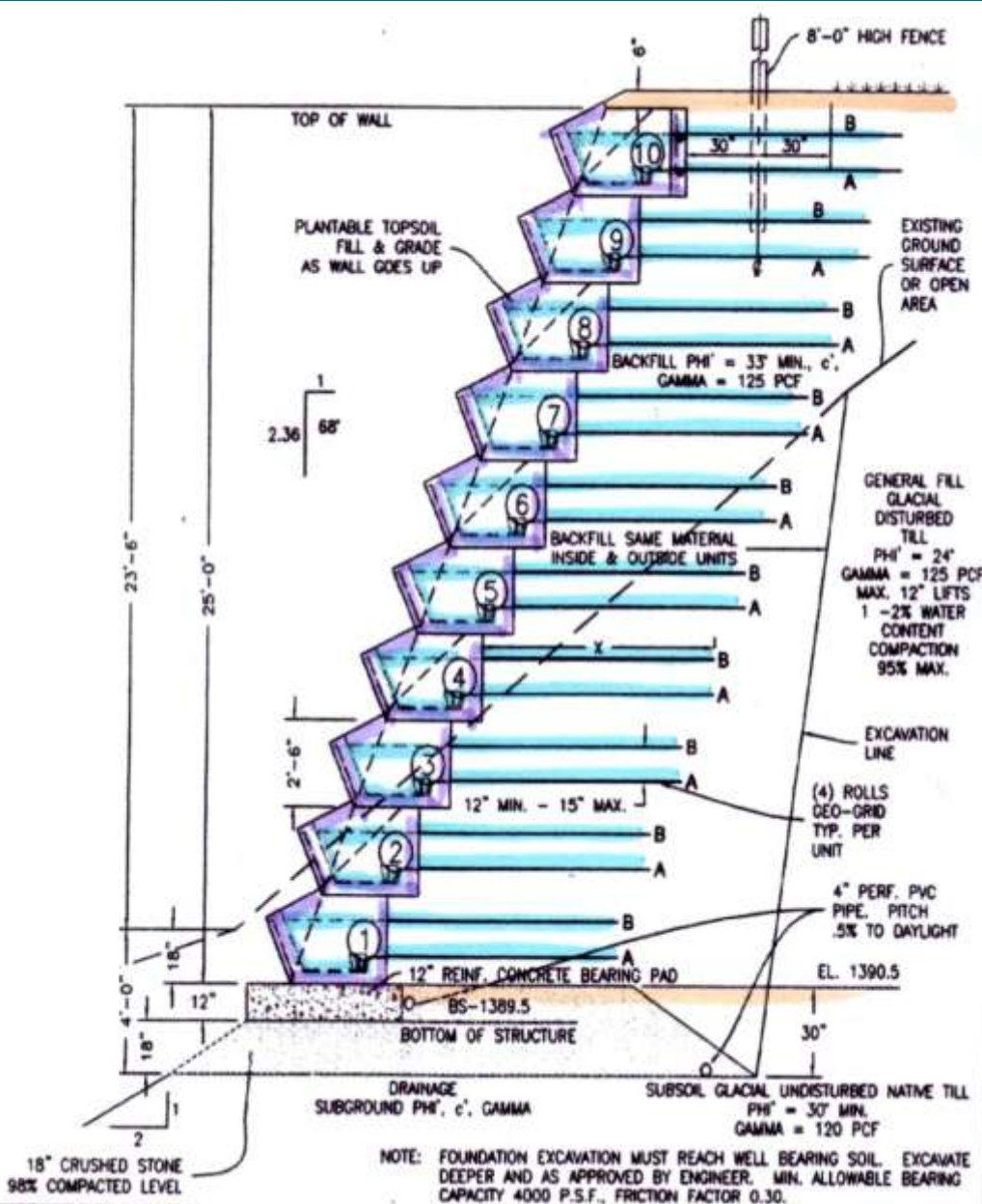


**Smithtown, NY, USA**

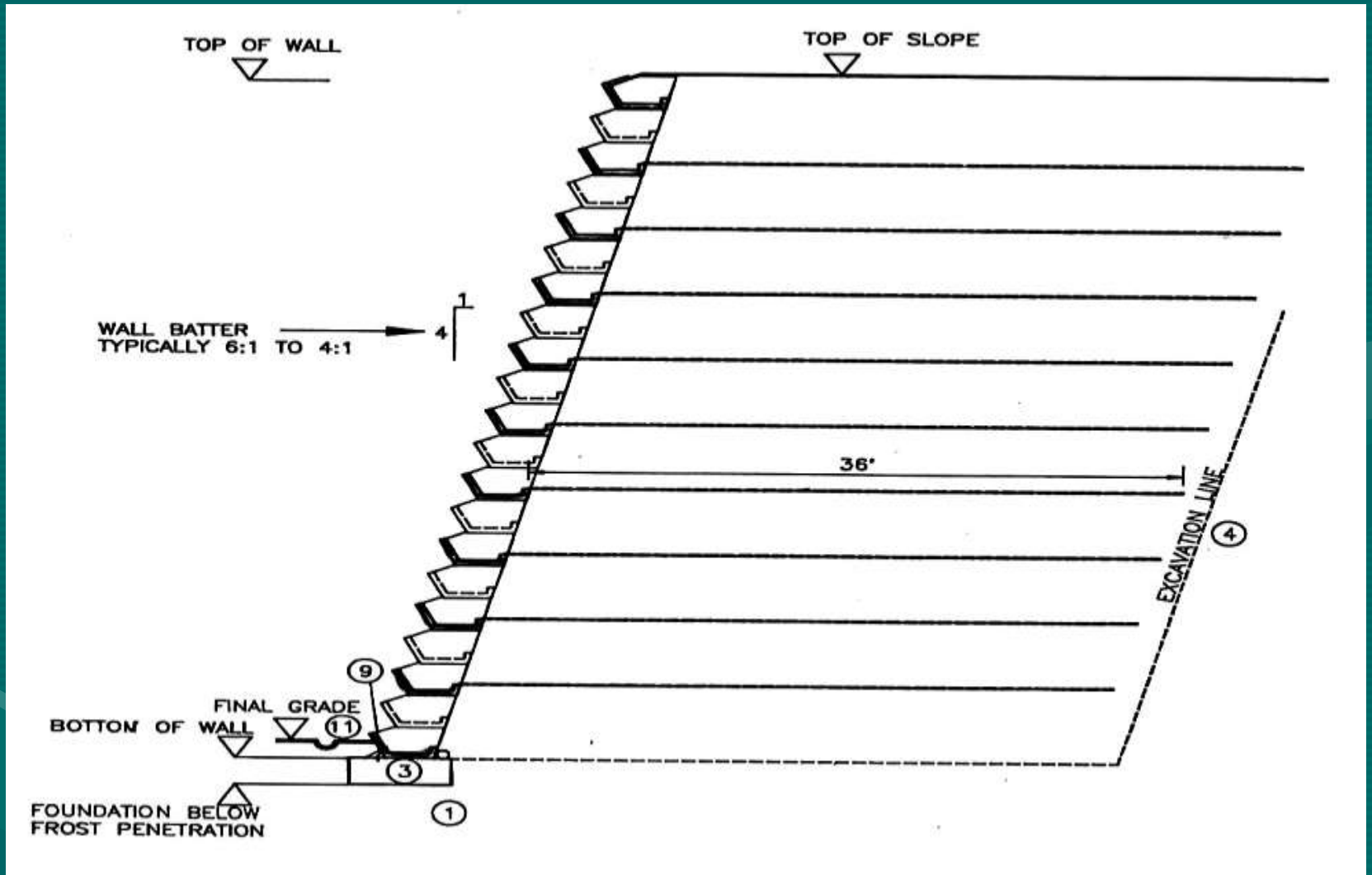


**for residential housing, USA**

# for higher walls add geogrids







high wall with geotextile soil reinforcement



**Evergeen GEO near Karlsruhe, Germany**



**Evergeen GEO near Karlsruhe, Germany**



**Evergreen GEO near Karlsruhe, Germany**



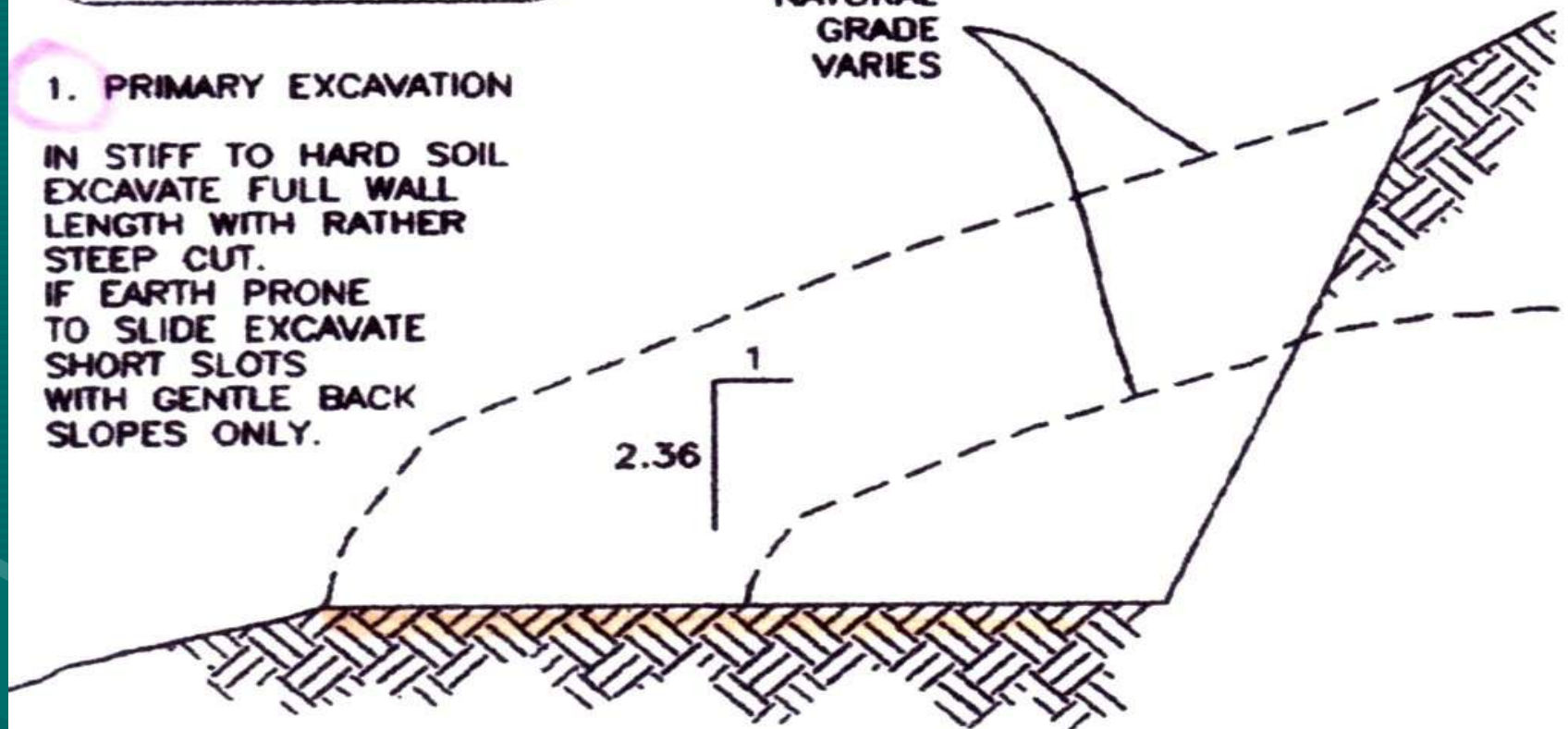
**Soccer Field, Upstate New York, USA**



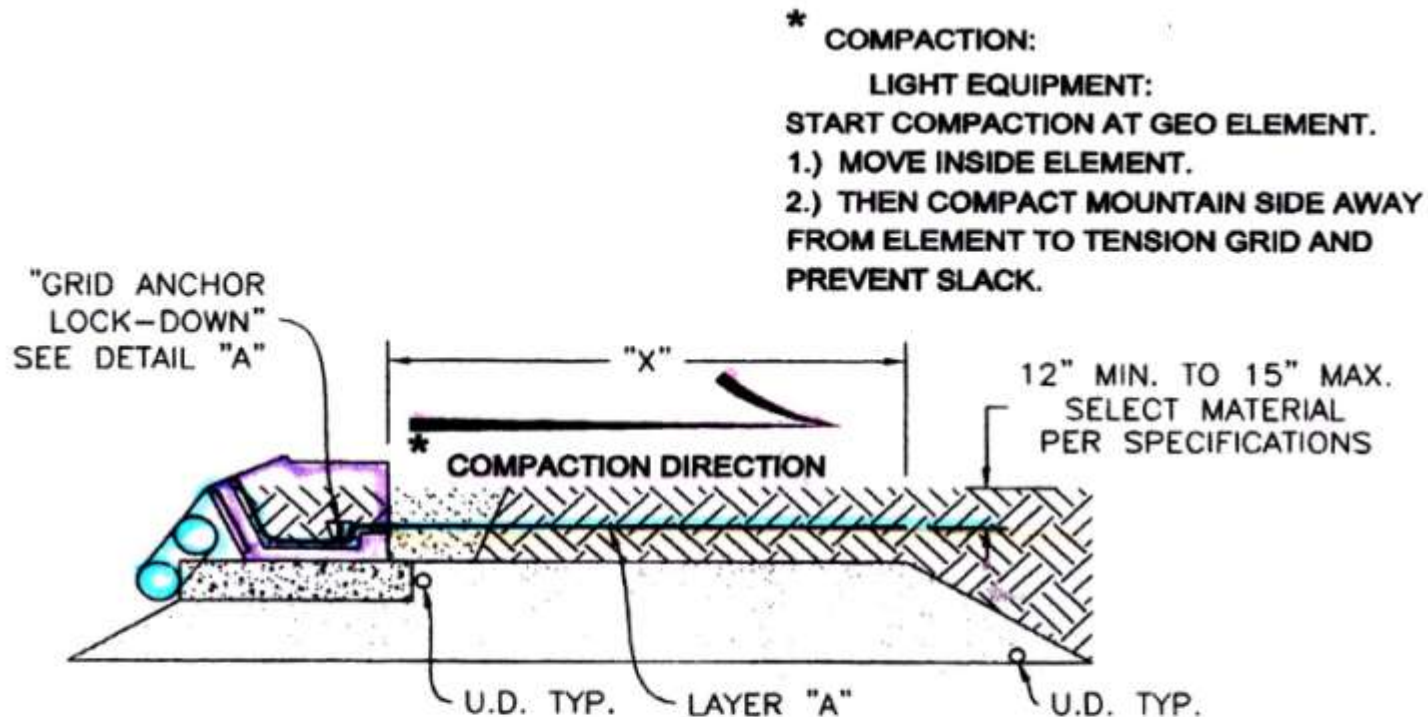
### 1. PRIMARY EXCAVATION

IN STIFF TO HARD SOIL  
EXCAVATE FULL WALL  
LENGTH WITH RATHER  
STEEP CUT.  
IF EARTH PRONE  
TO SLIDE EXCAVATE  
SHORT SLOTS  
WITH GENTLE BACK  
SLOPES ONLY.

NATURAL  
GRADE  
VARIES



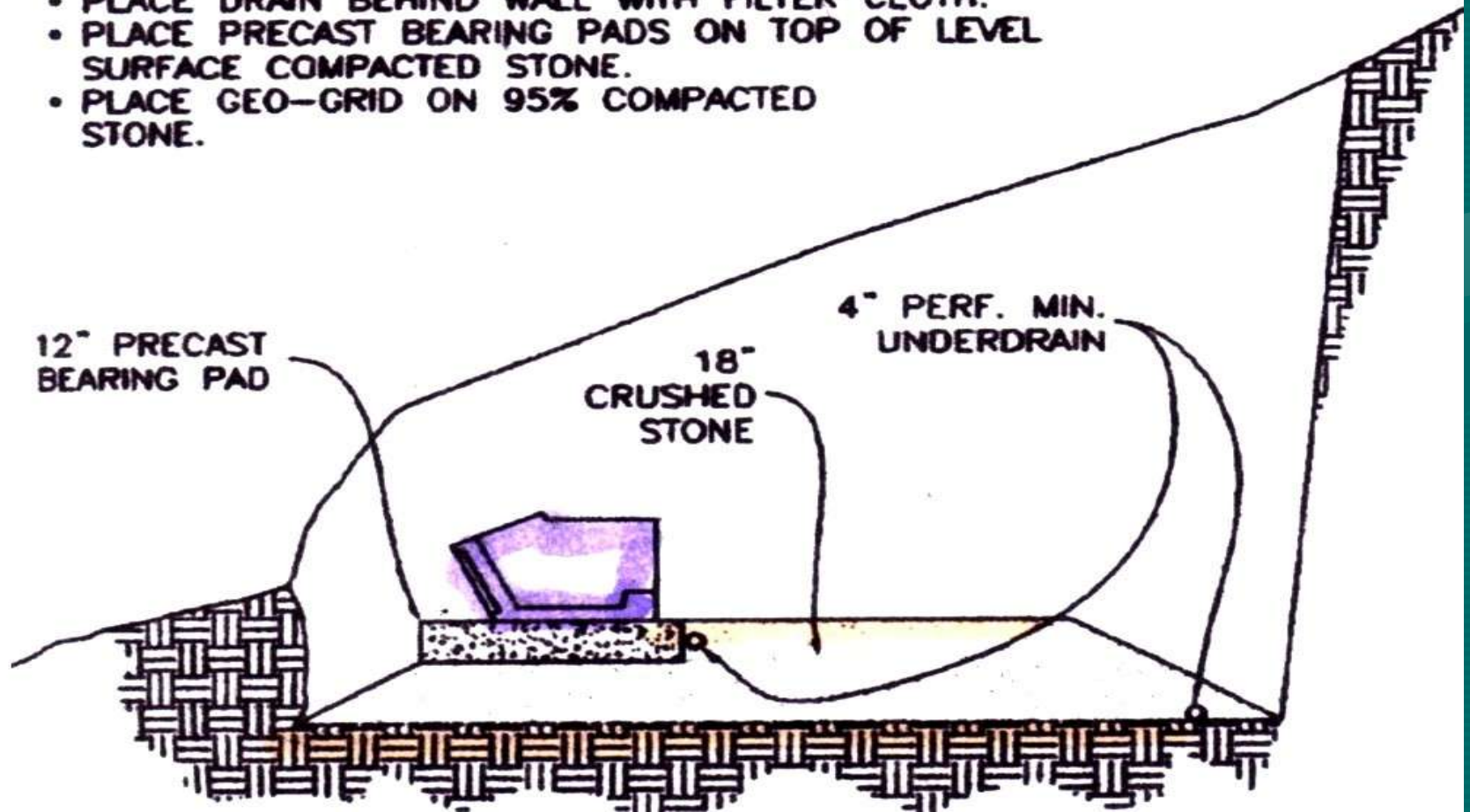
4



**BACKFILL & COMPACT WITH SELECT MATERIAL**  
**12" MIN. TO 15" MAX. PER SPECIFICATIONS**

### 3. FOUNDATION CONSTRUCTION (COMPACTED CRUSHED STONE BEARING PAD)

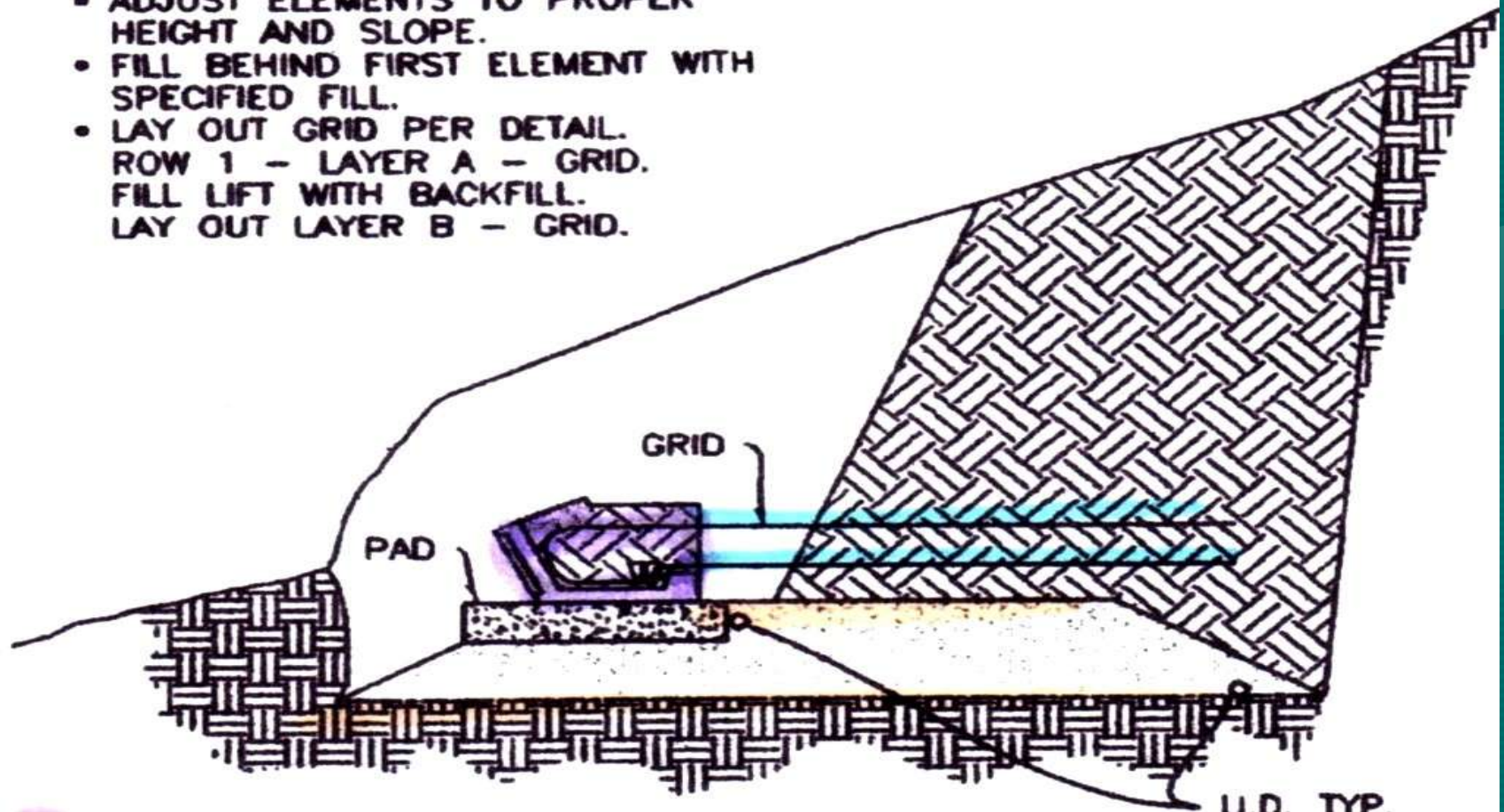
- FILL FOOTER AREA WITH CRUSHED STONE.
- ANY OPEN AREAS MUST BE FULLY COMPACTED TO 95% PROCTOR DENSITY.
- PLACE DRAIN BEHIND WALL WITH FILTER CLOTH.
- PLACE PRECAST BEARING PADS ON TOP OF LEVEL SURFACE COMPACTED STONE.
- PLACE GEO-GRID ON 95% COMPACTED STONE.





#### 4. FIRST ELEMENT LAYER

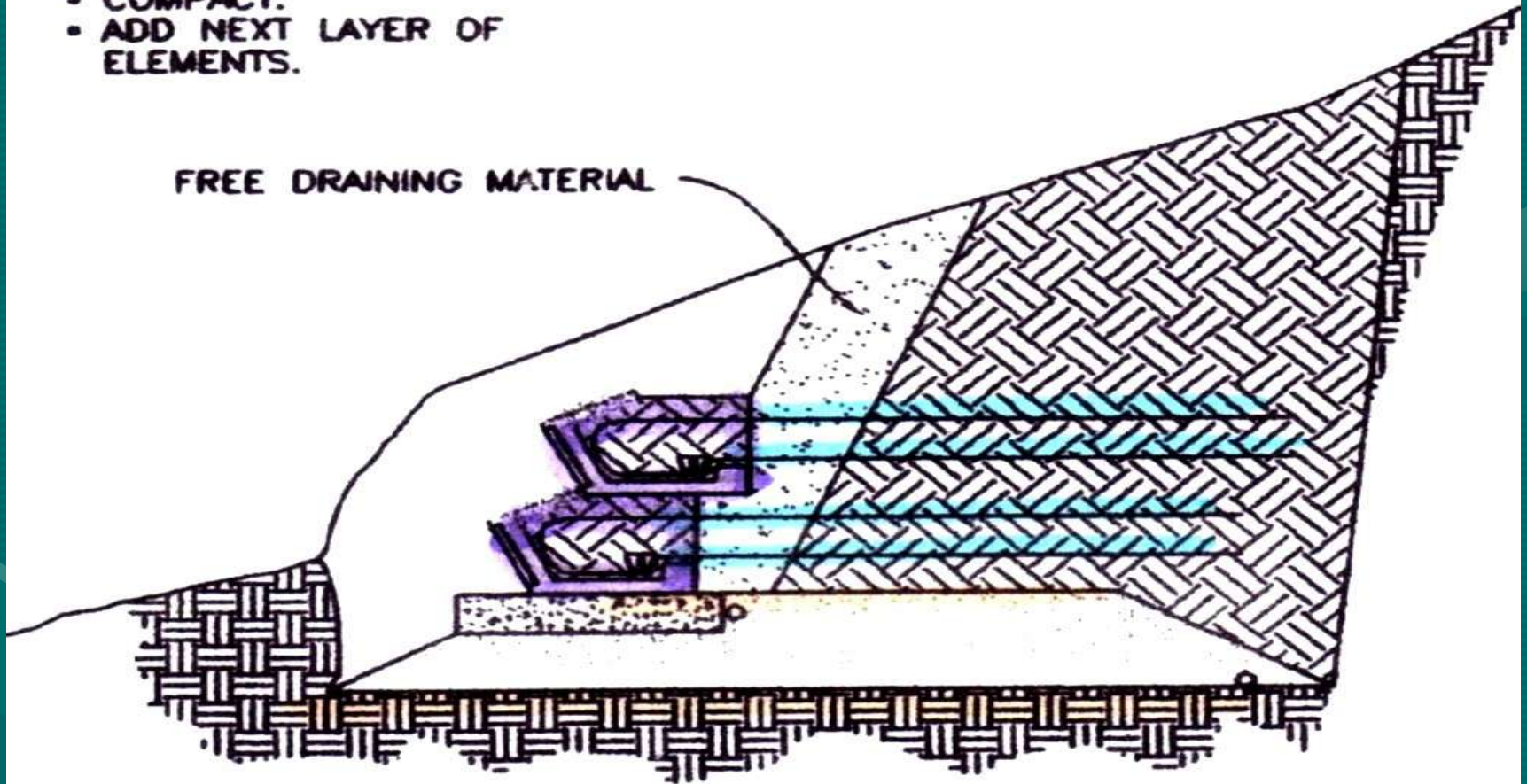
- LAYOUT ELEMENT SETTING LOCATION.
- PLACE FIRST LAYER OF ELEMENTS ON CONCRETE BEARING PAD.
- ADJUST ELEMENTS TO PROPER HEIGHT AND SLOPE.
- FILL BEHIND FIRST ELEMENT WITH SPECIFIED FILL.
- LAY OUT GRID PER DETAIL.  
ROW 1 - LAYER A - GRID.  
FILL LIFT WITH BACKFILL.  
LAY OUT LAYER B - GRID.



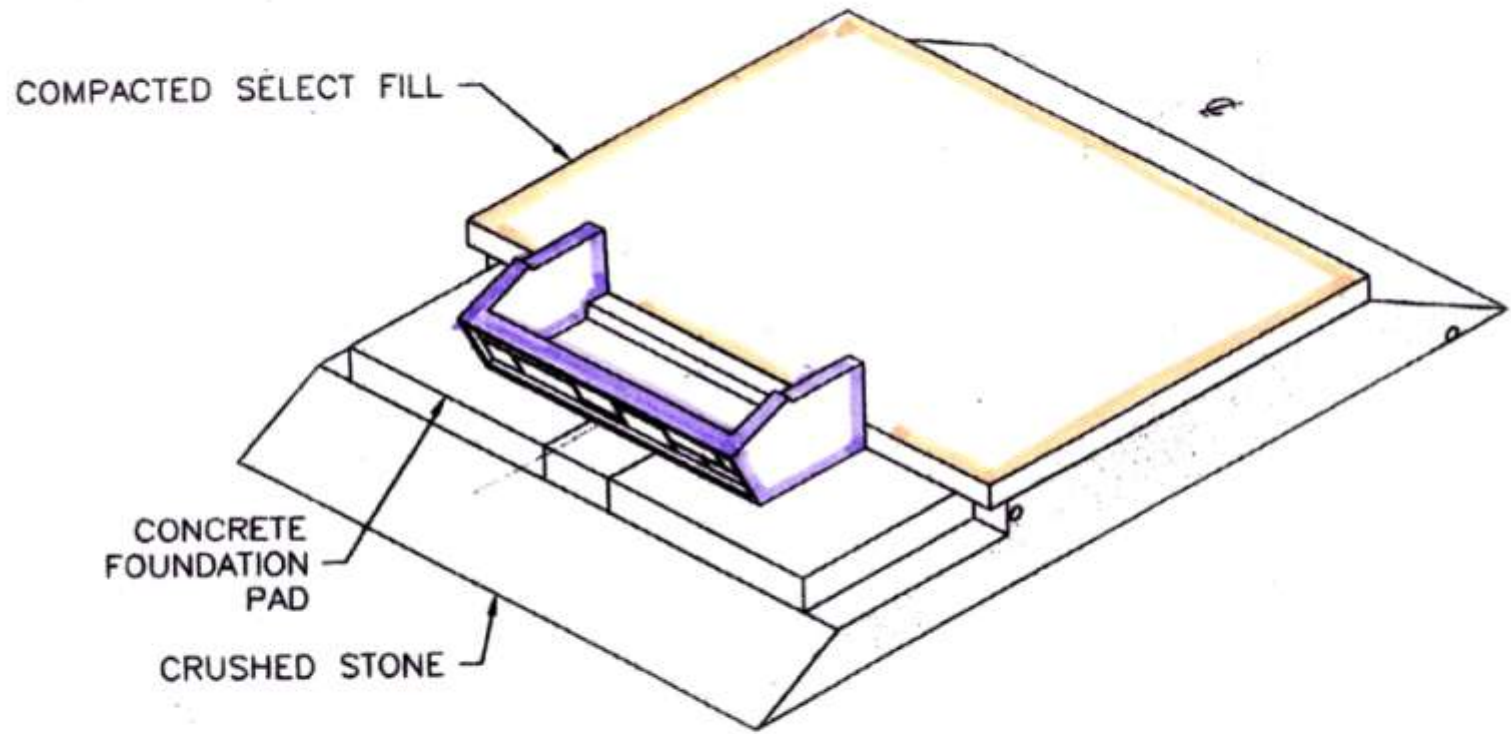
## 5. DRAINAGE FILL AND NEXT ELEMENT

- USE FREE DRAINING MATERIAL JUST ABOVE DRAIN AND WITHIN FIRST ELEMENT.
- COMPACT.
- ADD NEXT LAYER OF ELEMENTS.

FREE DRAINING MATERIAL

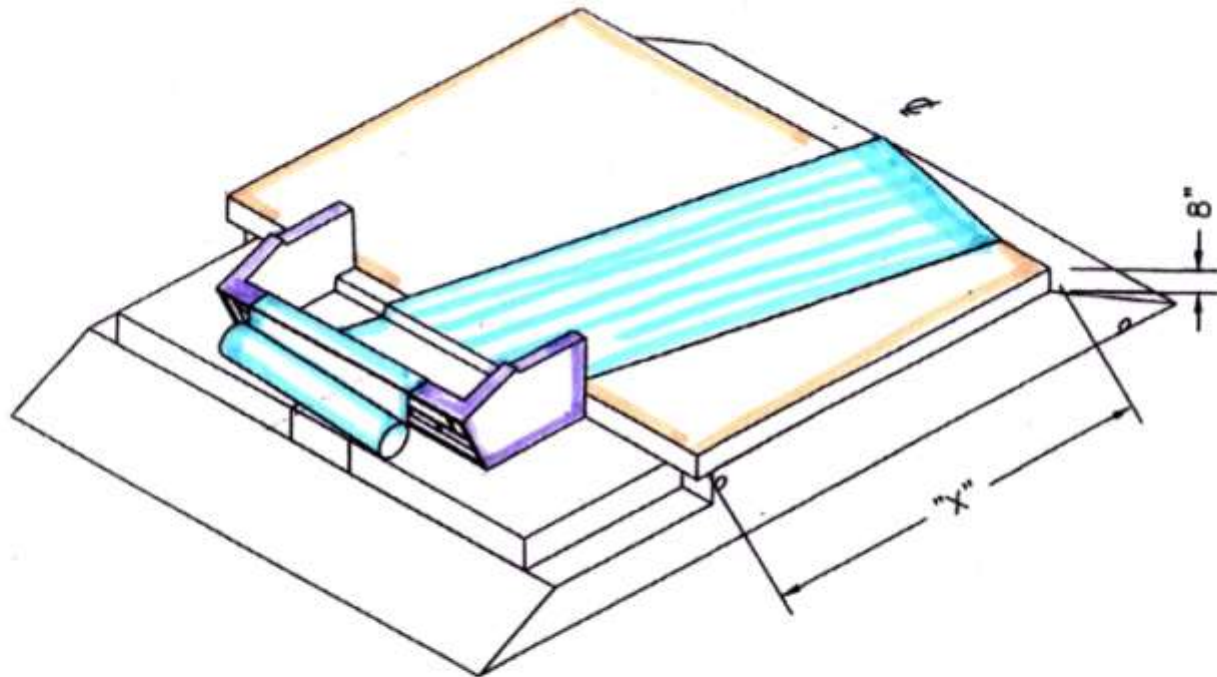


①



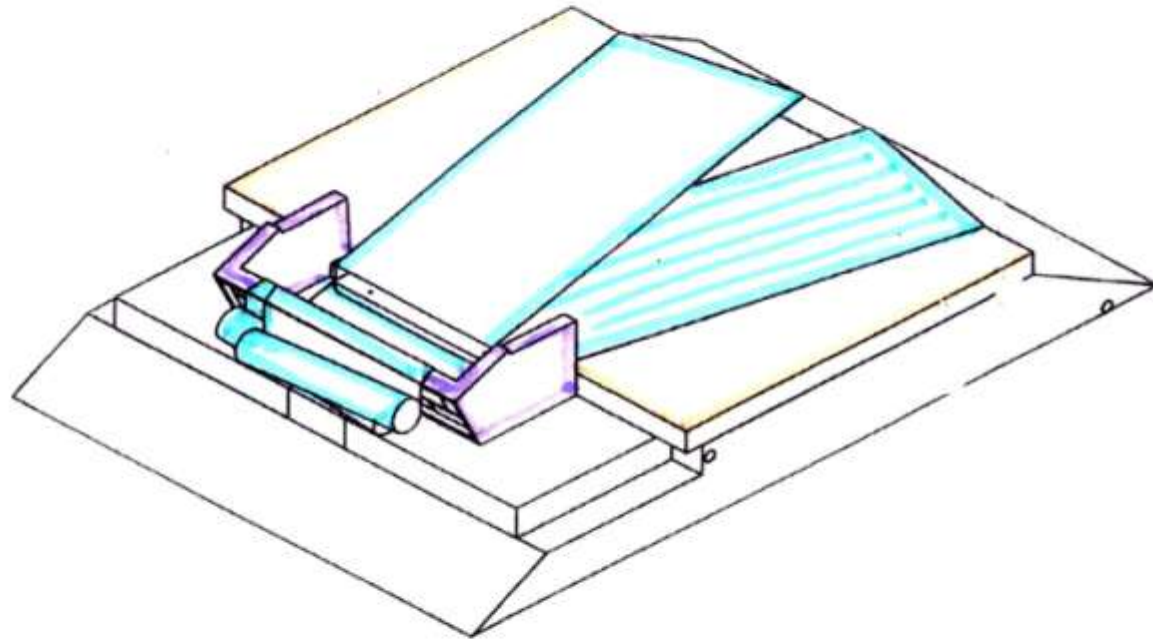
SET ELEMENT

②



INSTALL BOTTOM LAYER GEO GRID, 1ST HALF LAYER "A"

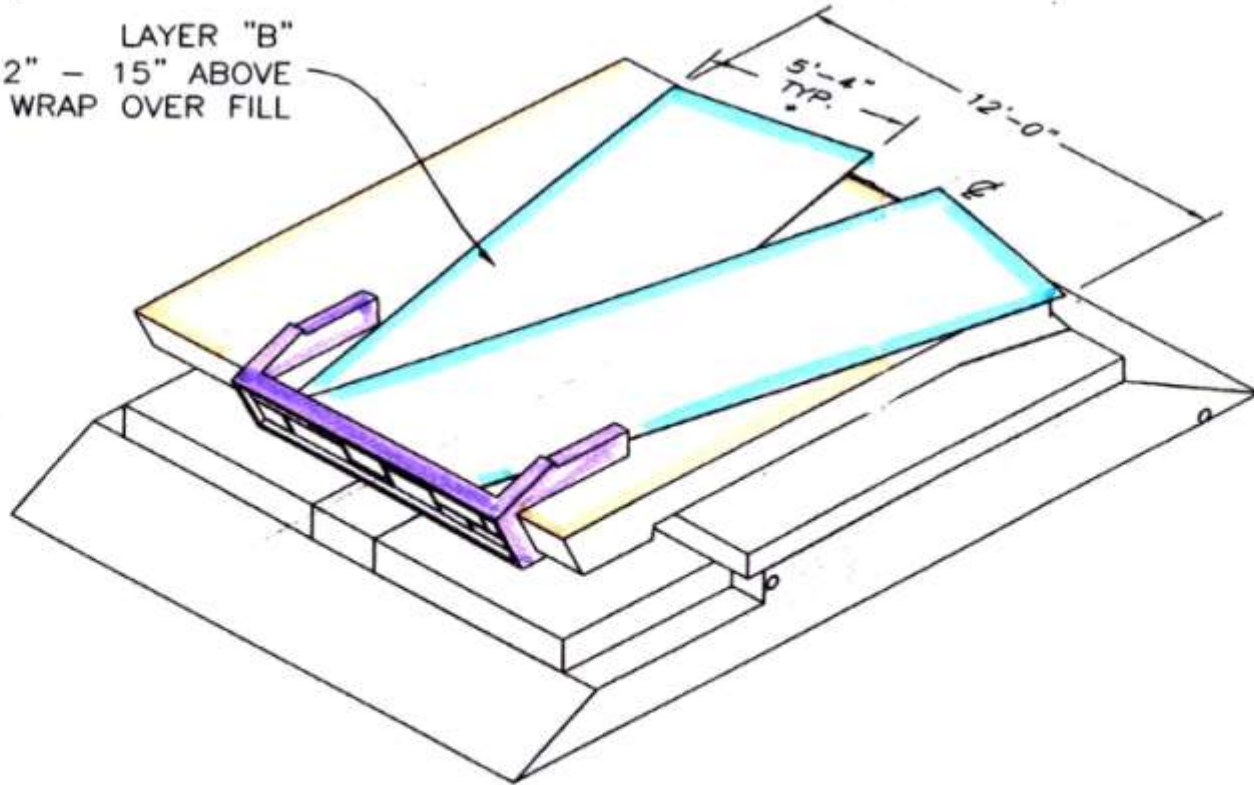
3



INSTALL BOTTOM LAYER GEO GRID, 2ND HALF LAYER "A"  
ANCHOR - GRID ANCHOR-LOCKDOWN.

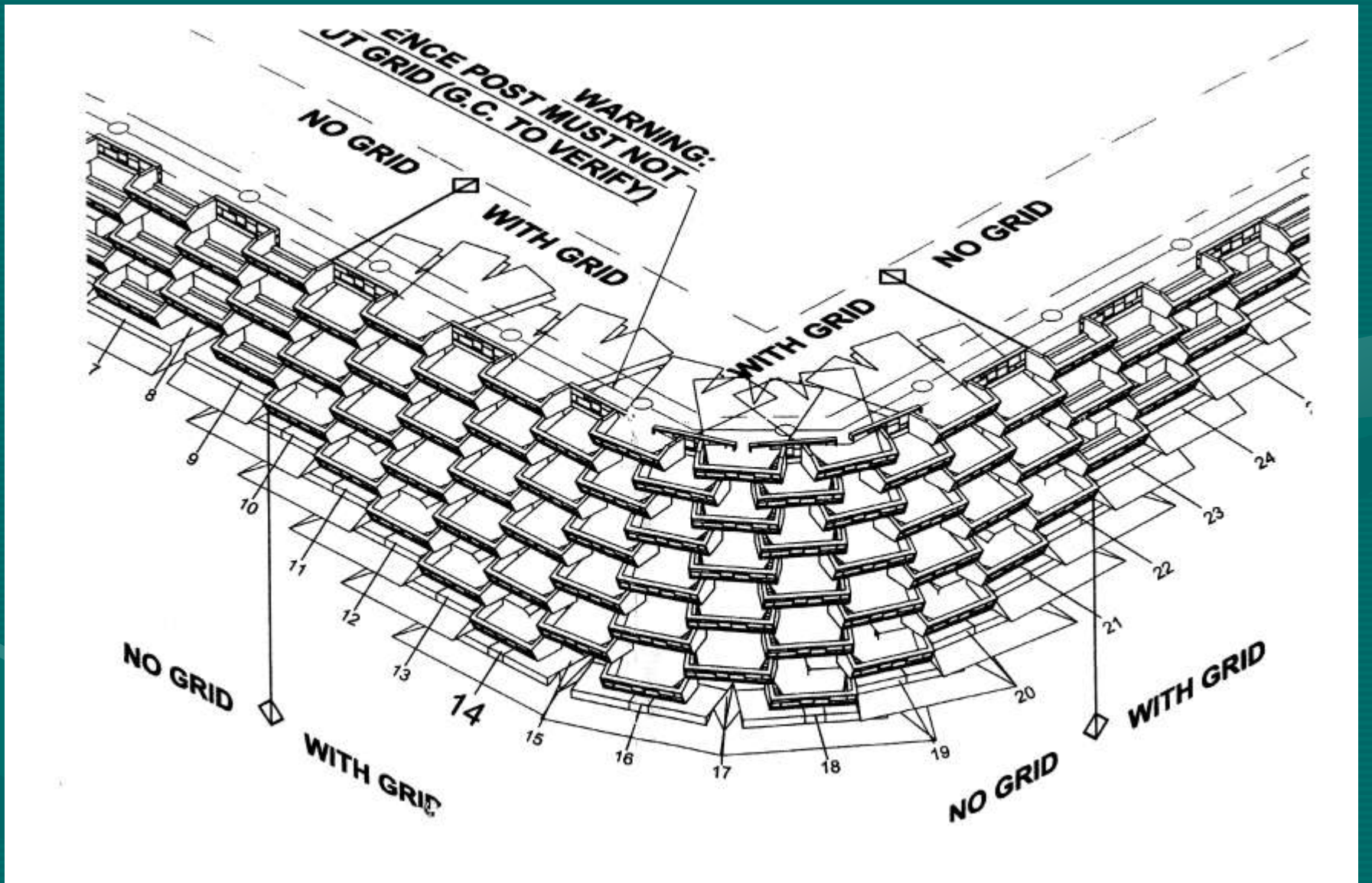
5

LAYER "B"  
12" - 15" ABOVE  
WRAP OVER FILL

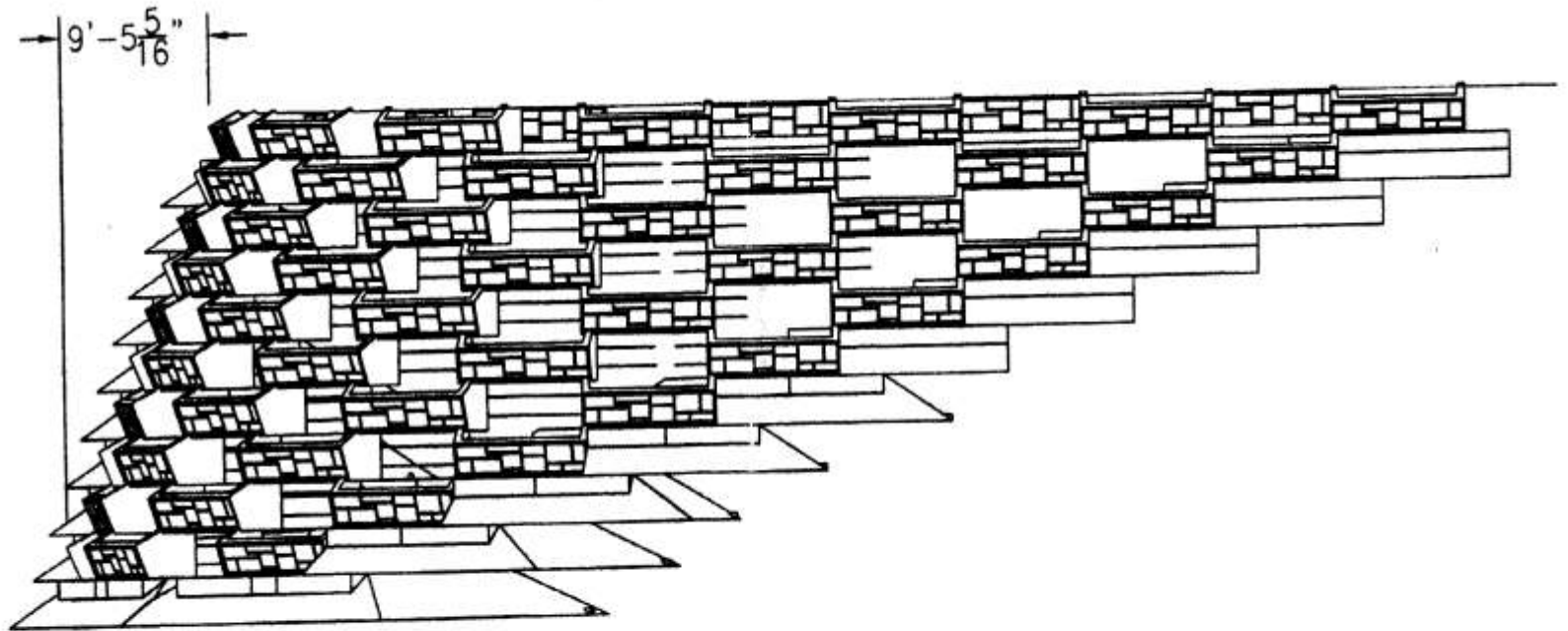


ROLL OUT UPPER GEO-GRID LAYER "B".  
BACKFILL PER SPECIFICATIONS

placing geogrid



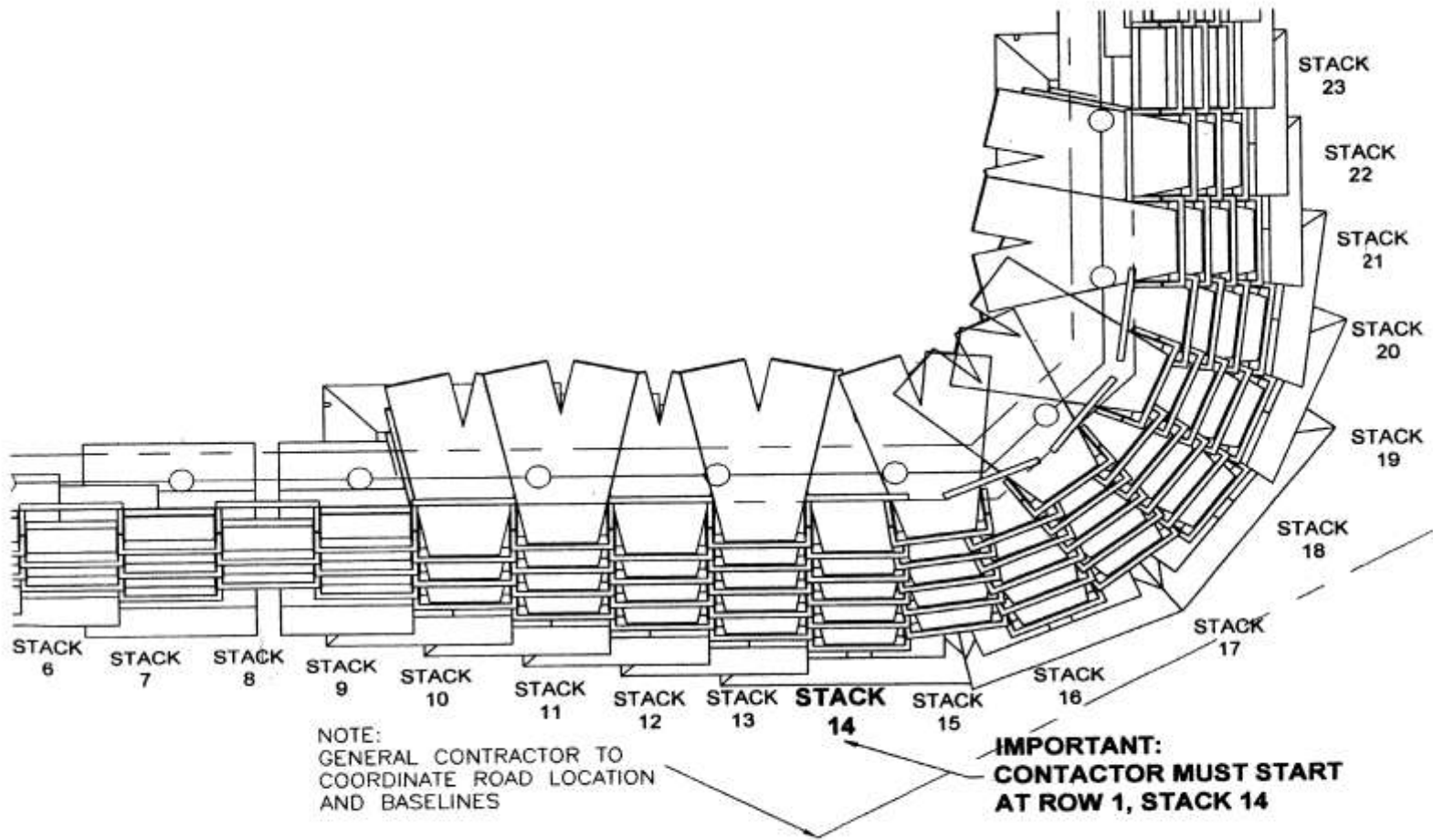
plan view with geogrids



END ELEVATION

Evergreen GEO wall in a curve





PLAN

plan view of curbe design



backfilling the elements



**construction site Upstate New York**



**placing top soil in the GEO elements**



**soccer field Upstate New York, USA**



**Final Check of Construction**

Evergreen Walls, Inc.

Thank you

